

UNI2-8 for imc CRONOSflex (CRFX/UNI2-8)

8-channel, high-performance universal measurement amplifier

The UNI2-8 is a universal measurement amplifier. With 8 differential analog inputs, it is capable of measuring:

- Voltage and current (20 mA)
- Temperature (thermocouple and PT100)
- Bridge and strain gauge (quarter-, half and full-bridge)
- IEPE/ICP-sensors (via the optional DSUB terminal connector)

For powering external sensors or bridge measurements, a software selectable sensor supply is integrated.

Highlights

- An amplifier for all relevant measurement quantities
- Very high signal bandwidth of up to 48 kHz
- Finely adjustable input voltage range (± 5 mV to ± 50 V)
- Each channel with its own adjustable filter (e.g., anti-aliasing filter) and simultaneous A/D converter
- Graphical configuration wizard to setup strain gauge bridges
- Software selectable quarter bridge completion 120 and 350 Ω
- Supports imc Plug & Measure (Transducer Electronic Data Sheets)



CRFX/UNI2-8

Typical applications

- Provides maximum flexibility for changing measurement and sensor requirements.

imc CRONOSflex - Frameless expansion, flexible modularity

The imc Click Mechanism and extruded aluminum case provide a firm mechanical and electrical connection. As a result, no mainframe or rack is needed.

An imc CRONOSflex system uses EtherCAT as an "internal" system bus for connecting various modules to the main base unit (CRFX-400 / CRFX-2000G). With the system bus, all imc CRONOSflex modules are guaranteed to be synchronized with each other. This allows various modules to be either connected in one central block or connected via standard network cable in a spatially distributed system.

Alternatively, connection can be made by means of standard Ethernet cables (RJ45, CAT5), thus creating a spatially distributed system.



imc Click Mechanism



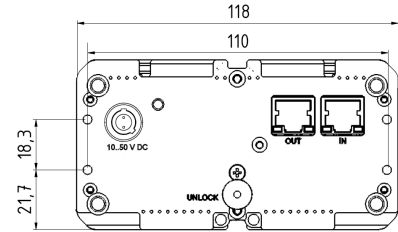
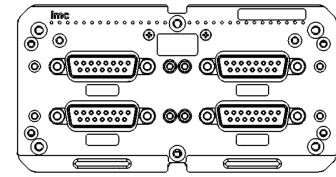
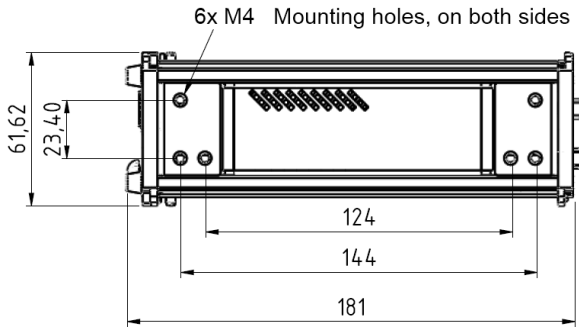
CRFX distributed system

Overview of available variants

Standard version		ET-version *	
Order Code:	article no.	article no.	remarks
CRFX/UNI2-8	11900020	11910010	with DSUB-15 sockets
CRFX/UNI2-8-L	11900048	11910021	with LEMO sockets

* ET: Version for an extended temperature range

Mechanical drawings with dimensions



Module power supply options

- Direct connection (LEMO.EGE.1B.302 power socket)
- Adjacent module (module connector / imc Click Mechanism)
- EtherCAT network cable: Power over EtherCAT (PoEC)

For further details refer to the power options documentation.

Included accessories

DSUB-15 plug		
ACC/DSUBM-UNI2	DSUB-15 plug with screw terminals for 2-channel voltage, and bridge measurement as well as temperatures with PT100 and thermocouples with integrated cold junction compensation (CJC)	13500169
Miscellaneous		
Calibration certificate with test equipment verification as per ISO 9001 (manufacturer's calibration certificate, PDF)		
Getting started with imc CRONOSflex (one copy per delivery)		

Optional accessories

DSUB-15 plug		
ACC/DSUBM-TEDS-UNI2	version with TEDS support, according to IEEE 1451.4 for use with imc Plug & Measure	13500188
ACC/DSUBM-I2	DSUB-15 plug with screw terminals for 2-channel current measurement of up to 50 mA (50 Ω shunt, scaling factor: 0.02A/V)	13500180
ACC/DSUBM-TEDS-I2	version with TEDS support, according to IEEE 1451.4 for use with imc Plug & Measure	13500193
ACC/DSUBM-ICP2I-BNC-S	DSUB-15 plug for 2 IEPE/ICP sensors, BNC connection, isolated, slow	13500293
ACC/DSUBM-ICP2I-BNC-F	DSUB-15 plug for 2 IEPE/ICP sensors, BNC connection, isolated, fast	13500294
LEMO plug		
ACC/TH-LEM-150	LEMO.1B plug for 1-channel thermocouple measurement with built-in cold-junction compensation (CJC) via PT100	13500086

AC/DC power adaptor 110-230 VAC 50-60 Hz (with appropriate LEMO.1B.302 plug)		article no.
48 V DC / 150 W	ACC/AC-ADAP-48-150-1B	13500148
24 V DC / 60 W	CRPL/AC-ADAPTER-60W-1B	10800066
Power plugs		
ACC/POWER-PLUG-5	Power plug for DC supply LEMO.FGE.1B.302 plug (male, E-coded: 2 coding keys)	13500150
CRFX/MODUL-PP-90	Power plug for DC supply 90° angular LEMO.FHE.1B.302 plug (male, E-coded: 2 coding keys)	11900074
Supply module (Power Handle)		article no.
CRFX/HANDLE-POWER-L	Handle with system power supply 50 V 100 W, without UPS	11900058
CRFX/HANDLE-UPS-L	Handle with system power supply 50 V 100 W, UPS with lead-gel battery	11900043
CRFX/HANDLE-LI-IO-L	Handle with system power supply 50 V 100 W, UPS with Li-Ion battery	11900010
Passive-Handle		
CRFX/HANDLE-L	standard unpowered left handle	11900008
CRFX/HANDLE-R	standard unpowered right handle	11900007
Mounting bracket for increased stability (recommended for lifetime and robustness)		
CRFX/BRACKET-CON	assembly element for 2 modules	11900071
Mounting brackets for fixed installations		
CRFX/BRACKET-90	mounting bracket 90°	11900068
CRFX/BRACKET-180	mounting bracket 180°	11900069
CRFX/BRACKET-BACK	rear panel mounting element	11900070
CRFX/RACK	19" RACK for imc CRONOSflex Modules	11900066
CRFX/BRACKET-RACK	mounting element in the RACK	11900072
Miscellaneous		
CRFX/CAL-P Calibration report set for each device	Report set with manufacturer's calibration certificate and individual readings, as well as list of test equipment used (PDF). Meets requirements of ISO 17025	11900051

Technical Specs - CRFX/UNI2-8

Inputs, measurement modes, terminal connection		
Parameter	Value	Remarks
Inputs	8	
Measurement modes DSUB-15	voltage measurement current measurement bridge sensor strain gauge thermocouple measurement PT100 (3- and 4-wire configuration) current-fed sensors (IEPE/ICP)	ACC/DSUBM-UNI2 Single-ended (internal shunt) or shunt plug ACC/DSUBM-I2 full, half, quarter bridge with DSUB-15 expansion plug: (ACC/DSUB-ICP2, not isolated ACC/DSUBM-ICP2I-BNC-S/-F, isolated)
Measurement modes LEMO	voltage measurement current measurement thermocouple measurement bridge sensor strain gauge PT100 (3- and 4-wire configuration)	LEMO plug with built-in cold-junction compensation (CJC) ACC/TH-LEM-150 full, half, quarter bridge
Terminal connection DSUB-15 LEMO	4x DSUB-15 8x LEMO.1B.307	2 channels per plug 1 channel per plug

Sampling rate, Bandwidth, Filter, TEDS		
Parameter	Value	Remarks
Sampling rate	≤100 kHz	per channel, max system throughput of all module channels: 800 kHz including monitor channels
Bandwidth	0 Hz to 48 kHz 0 Hz to 30 kHz 0 Hz to 10 Hz	-3 dB -0.1 dB -3 dB for temperature measurement
Filter (digital) cut-off frequency characteristic type and order	10 Hz to 20 kHz	Butterworth, Bessel low pass or high pass filter: 8th order band pass: LP 4th and HP 4th order Anti-aliasing filter: Cauer 8th order with $f_{cutoff} = 0.4 f_s$
Resolution	16 Bit 24 Bit	output format is selectable for each channel individually: a) 16 Bit Integer b) 32 Bit Float (24 Bit Mantissa)
TEDS Transducer Electronic Data Sheets	conforming to IEEE 1451.4 Class II MMI	esp. with ACC/DSUBM-TEDS-xx (DS2433) supports also: DS2431 (typ. IEPE/ICP sensor)

Sampling rate, Bandwidth, Filter, TEDS			
Parameter	Value		Remarks
Characteristic curve linearization	user defined (max. 1023 supporting points)		
General			
Parameter	Value typ.	min. / max	Remarks
Overvoltage protection		±80 V ±50 V	permanent, differential input range >±10 V or device off input range ≤±10 V
Input coupling	DC		
Input configuration	differential		
Input impedance	1 MΩ 20 MΩ		range >±10 V range ≤±10 V
Auxiliary supply voltage available current internal resistance	+5 V 0.26 A 1.0 Ω	±5 % 0.2 A <1.2 Ω	for IEPE/ICP-expansion plug independent of integrated sensor supply, short-circuit protected power per DSUB-plug
Voltage measurement			
Parameter	Value typ.	min. / max.	Remarks
Input range	±50 V, ±25 V, ±10 V, ±5 V, ±2.5 V, ±1 V to ±5 mV		
Maximum input voltage		-11 V to +15 V	between ±IN and CHASSIS; input range ≤±10 V
Gain error	0.02 %	0.05 %	of the measured value, at 25 °C
Gain drift	10 ppm/K·ΔT _a	30 ppm/K·ΔT _a	ΔT _a = T _a -25 °C ambient temperature T _a
Offset error	0.02 %	≤0.05 % ≤0.06 % ≤0.15 %	of the range, at 25 °C range >±50 mV range ≤±50 mV range ≤±10 mV
Offset drift	±40 μV/K·ΔT _a ±0.7 μV/K·ΔT _a ±0.1 μV/K·ΔT _a	±200 μV/K·ΔT _a ±6 μV/K·ΔT _a ±1.1 μV/K·ΔT _a	range >±10 V range ±10 V to ±0.25 V range ≤±0.1 V ΔT _a = T _a -25 °C ambient temperature T _a
Non-linearity	30 ppm	90 ppm	
CMRR (common mode rejection ratio)	80 dB 110 dB 138 dB	>70 dB >90 dB >132 dB	DC and f≤60 Hz range ±50 V to ±25 V range ±10 V to ±50 mV range ±25 mV to ±5 mV
Noise	3.6 μV _{rms} 0.6 μV _{rms} 0.14 μV _{rms}	5.5 μV _{rms} 1.0 μV _{rms} 0.26 μV _{rms}	range 0.1 Hz to 50 kHz range 0.1 Hz to 1 kHz range 0.1 Hz to 10 Hz

Current measurement with shunt plug			
Parameter	Value typ.	min. / max.	Remarks
Input range	±50 mA, ±20 mA, ±10 mA, ±5 mA, ±2 mA, ±1 mA		
Shunt impedance	50 Ω		external plug ACC/DSUBM-I2
Over load protection		±60 mA	permanent
Maximum input voltage		-11 V to +15 V	between ±IN and CHASSIS
Input configuration	differential		
Gain error	0.02 %	0.06 % 0.1 %	of the reading, at 25 °C additional error of 50 Ω in plug
Gain drift	15 ppm/K·ΔT _a	55 ppm/K·ΔT _a	ΔT _a = T _a -25 °C ambient temperature T _a
Offset error	0.02 %	0.05 %	of the range, at 25 °C
Noise	40 nA _{rms} 0.7 nA _{rms} 0.17 nA _{rms}	70 nA _{rms} 12 nA _{rms} 0.3 nA _{rms}	Bandwidth: 0.1 Hz to 50 kHz 0.1 Hz to 1 kHz 0.1 Hz to 10 Hz

Current measurement with internal shunt			
Parameter	Value typ.	min. / max.	Remarks
Input range	±50 mA, ±20 mA, ±10 mA, ±5 mA, ±2 mA, ±1 mA		
Shunt impedance	120 Ω		internal
Over load protection		±60 mA	permanent
Maximum input voltage		-11 V to +15 V	between ±IN and CHASSIS
Input configuration	Single-ended		internal current sink to -VB
Gain error	0.02 %	0.06 %	of the reading, at 25 °C
Gain drift	15 ppm/K·ΔT _a	55 ppm/K·ΔT _a	ΔT _a = T _a -25 °C ambient temperature T _a
Offset error	0.02 %	0.05 %	of the range, at 25 °C
Noise	40 nA _{rms} 0.7 nA _{rms} 0.17 nA _{rms}	70 nA _{rms} 12 nA _{rms} 0.3 nA _{rms}	Bandwidth: 0.1 Hz to 50 kHz 0.1 Hz to 1 kHz 0.1 Hz to 10 Hz

Bridge measurement			
Parameter	Value typ.	min. / max.	Remarks
Mode	DC		
Measurement modes	full, half, quarter bridge		bridge supply ≤ 5 V with quarter bridge
Input range	± 1000 mV/V, ± 500 mV/V, ± 200 mV/V, ± 100 mV/V $\pm 0,5$ mV/V ... ± 1 mV/V ... ± 2 mV/V ... ± 5 mV/V		(as an option) (as an option)
Bridge supply	10 V 5 V	± 0.5 % ± 0.5 %	The actual value will be dynamically captured and compensated for in bridge mode.
(as an option)	2.5 V and 1 V		
Minimum bridge impedance	120 Ω full bridge 60 Ω half bridge		
Maximum bridge impedance	5 k Ω		
Quarter bridge completion	120 Ω , 350 Ω		internal, switchable per software
Input impedance	20 M Ω	± 1 %	differential, full bridge
Gain error	0.02 %	0.05 %	of the reading, at 25 °C
Gain drift	20 ppm/K $\cdot\Delta T_a$	50 ppm/K $\cdot\Delta T_a$	$\Delta T_a = T_a - 25$ °C ambient temperature T_a
Offset error	0.01 %	0.02 %	of input range, at 25 °C, after automatic bridge balancing
Automatic shunt-calibration (calibration jump)	0.5 mV/V	± 0.2 %	for 120 Ω and 350 Ω

Temperature measurement - Thermocouples			
Parameter	Value typ.	min./ max.	Remarks
Measurement mode	J, T, K, E, N, S, R, B		
Measurement range	-270 °C to 1370 °C -270 °C to 1100 °C -270 °C to 500 °C		type K
Resolution	0.063 K (1/16 K) 32 bit float (24 Bit mantissa)		With selected data type / output format: a) 16-Bit integer b) Float (24-Bit mode)
Measurement error		0.06 % 0.05 %	type K of measurement range, at 25 °C of reading (total uncertainty min. 0.85 K)
Drift	0.02 K/K $\cdot\Delta T_a$	0.05 K/K $\cdot\Delta T_a$	$\Delta T_a = T_a - 25$ °C ambient temperature T_a
Error of cold junction compensation		± 0.15 K	with ACC/DSUBM-UNI2, at 25 °C
Cold junction drift	± 0.001 K/K $\cdot\Delta T_a$		$\Delta T_a = T_a - 25$ °C ambient temperature T_a

RTD (PT100)			
Parameter	Value typ.	min. / max.	Remarks
Input range		-200 °C to 850 °C -200 °C to 250 °C	
Resolution	0.063 K		
Measurement error			
4-wire measurement		0.25 K +0.02 %	-200 °C to 850 °C of measured value of resistance
3-wire measurement		0.1 K +0.02 % 0.42 K +0.03 % 0.38 K +0.02 %	-200 °C to 250 °C of measured value of resistance -200 °C to 850 °C of measured value of resistance -200 °C to 250 °C of measured value of resistance Precision for 3-wire mode: with individual adjustment, only (special version upon request)
Drift		0.01 K/K·ΔT _a	ΔT _a = T _a -25 °C ambient temperature T _a
Sensor feed (PT100)	1.25 mA		

Sensor supply			
Parameter	Value typ.	max.	Remarks
Configuration options	5 selectable settings		always 5 selectable voltage settings default selection: +5 V to +24 V
Output voltage	Voltage (+1 V) (+2.5 V) +5.0 V +10 V +12 V +15 V +24 V (±15 V)	Current 580 mA 580 mA 580 mA 300 mA 250 mA 200 mA 120 mA 190 mA	Power 0.6 W 1.5 W 2.9 W 3.0 W 3.0 W 3.0 W 2.9 W 3.0 W
Block isolation	60 V		Isolation of the entire global sensor supply (for all 8 channels, reference ground: "-VB") as well as the internal electronics from housing (CHASSIS, PE)
Short-circuit protection	unlimited duration		to output voltage reference ground: "-VB"
Compensation of cable resistances	3-line control: SENSE line as refeed (-VB: supply ground)		calculated compensation with bridges
Accuracy of output voltage	<0.25 %	0.5 % 0.9 % 1.5 %	at terminals, no load at 25°C over entire temperature range plus with optional bipolar output voltage
Max. capacitive load		>4000 μF >1000 μF >300 μF	2.5 V to 10 V 12 V, 15 V 24 V

UNI2-8 for imc CRONOSflex (CRFX/UNI2-8)

Technical Data Sheet



Block isolation		
Parameter	Value	Remarks
Block isolation	60 V	all internal electronics isolated from the housing (CHASSIS, PE)
Isolation impedance	500 k Ω 1 nF	
Internal reference ground	-VB, GND, TEDS_GND	all channels with one common, galvanically connected reference ground
External reference ground	CHASSIS, metal housing	internal electronics as an entity, galvanically isolated from housing

Block isolation for improved suppression of ground loops and related interference. Does not constitute channel-wise individual isolation. Not rated nor intended for safety of equipment and personnel.

Devices or modules purchased before ca. 2012 do not feature block isolation.

Power supply		
Parameter	Value	Remarks
Input supply voltage	10 V to 50 V DC	
Power consumption	10.1 W	10 to 50 V DC incl. 120 Ω 5 V load to all channels
Isolation	60 V	nominal isolation specification of the supply input
Power-over EtherCAT (PoEC)	42 V to 50 V DC	supply via EtherCAT network cable

Terminal connections of the module		
Parameter	Value	Remarks
EtherCAT connection	2x RJ45	system bus for distributed imc CRONOSflex components
Input supply plug (female)	LEMO.EGE.1B.302	multicoded, 2-notch connector for optional individual power supply
Module connector	2x 20 pin	Click-mechanism provides direct connection of modules (supply and system bus) without additional cabling

Pass through power limits	
Directly connected (clicked) imc CRONOSflex Modules	<p>3.1 A (maximum current)</p> <p>Equivalent power with chosen DC power input:</p> <ul style="list-style-type: none"> • 149 W @ 48 V DC (e.g. AC/DC line adaptor) • 37 W @ 12 V DC (typical vehicle supplied DC input)
Power-over EtherCAT (PoEC) for remote imc CRONOSflex Modules	<p>350 mA (maximum current according to IEEE 802.3)</p> <p>Equivalent power with chosen DC power input:</p> <ul style="list-style-type: none"> • 17.5 W @ 50 V DC (e.g. Power Handle) • 16.8 W @ 48 V DC (e.g. AC/DC line adaptor) • 14.7 W @ 42 V DC (minimum voltage for PoEC) <p>Note: minimum system power of 42 V DC required for PoEC</p>

Operating conditions		
Parameter	Value	Remarks
Operating environment	dry, non corrosive environment within specified operating temperature range	
Rel. humidity	80% up to 31°C, above 31°C: linear declining to 50%	according IEC 61010-1
Ingress protection rating	IP20	
Pollution degree	2	
Operating temperature (standard)	-10°C to +55°C	without condensation
Operating temperature (extended: "-ET" version)	-40°C to +85°C	condensation temporarily allowed
Shock- and vibration resistance	IEC 61373, IEC 60068-2-27 IEC 60062-2-64 category 1, class A and B MIL-STD-810 Rail Cargo Vibration Exposure U.S. Highway Truck Vibration Exposure	
Extended shock- and vibration resistance	upon request	specific tests or certifications upon request
Dimensions	62 x 118 x 186 mm	W x H x D
Weight	approx. 878 g	